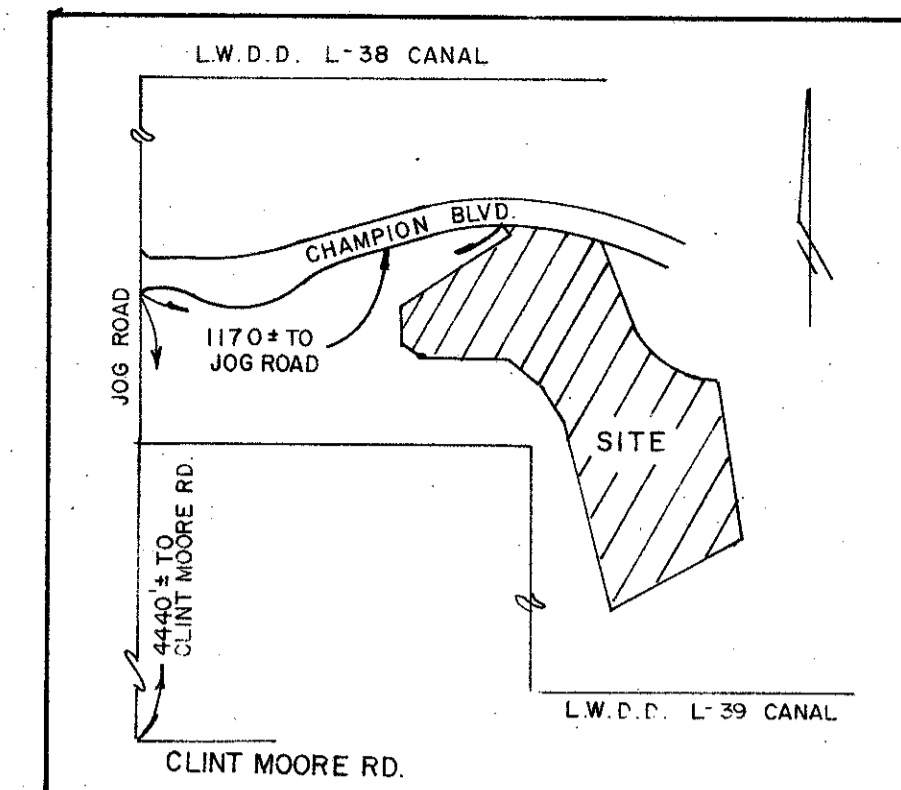


BLUE CORAL COVE
A PART OF THE POLO CLUB P.U.D.
BEING A REPLAT OF A PORTION OF TRACT II, "THE POLO CLUB PLAT II" (P.B. 57 PGS. 46-49)
SITUATE IN SECTION 34, TOWNSHIP 46 SOUTH, RANGE 42 EAST
PALM BEACH COUNTY, FLORIDA

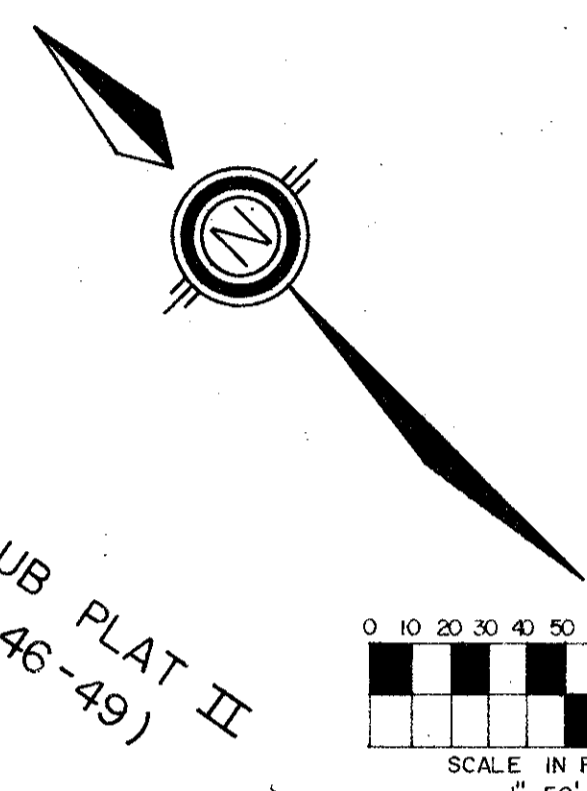
1987

SHEET 3 OF 3



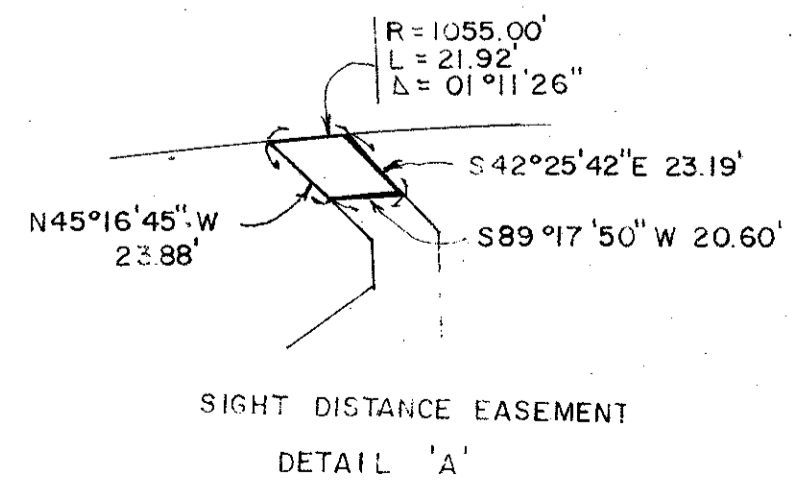
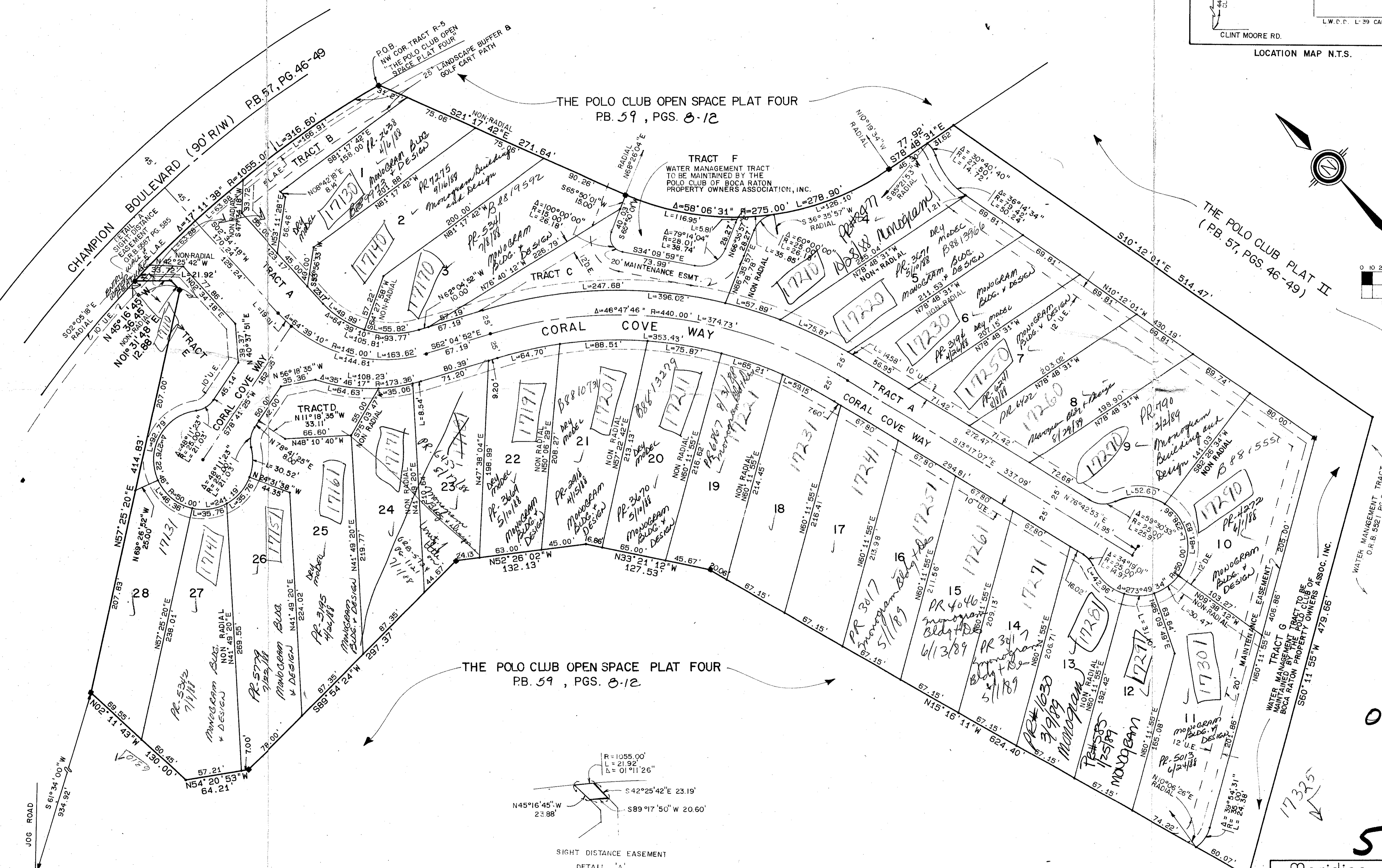
LOCATION MAP N.T.S.

STATE OF FLORIDA
COUNTY OF PALM BEACH
THIS PLAT WAS FILED FOR
RECORD
THIS _____ DAY OF _____
AD, 1987 AND DULY RECORDED
IN PLAT BOOK _____ ON PAGES
_____ AND _____
JOHN B. DUNKLE, CLERK
BY: _____, D.C.



3/4/87
Blue Coral Cove
59 B
37
33334
Polo Club P.U.D.
TAZ 602

Drawn: [Signature]
Checked: [Signature]
Date: [Signature]
Scale: [Signature]



0436-002

59/152

Meridian Surveying and mapping inc.
2000 LOMBARD STREET
WEST PALM BEACH, FL.
DRAWN M.H.C. DATE SEPT. 1987
CHECKED W.B.H. SCALE 1" = 50'
DRAWING NO. 09475PL
ADD. BY [Signature]
CHECKED BY [Signature]